



**Where there
are people
and **mobility,**
there is Orona.**

CATALOGUE OF SOLUTIONS
FOR PUBLIC BUILDINGS

Orona Next, we elevate your travel experience.

We are living in an increasingly global and digital world, a world in which the physical distance between people can be overcome thanks to technological development, which brings them closer together.

Now imagine that you have a companion that develops and integrates digital innovation, while bringing you closer to whoever you want and wherever you want, a companion that combines the best of both worlds to make each trip an in-car experience.

We bring you **Orona Next**, the platform of mobility solutions for people in buildings, which makes it possible for Orona to fulfil its aim each and every day: to bring people together and to shorten the distances separating them. A platform of solutions comprised of lifts, escalators, moving walks and accessibility products, as well as four ranges of options to adapt to your needs.

DESIGNED TO TAKE CARE OF YOU

Solutions that contribute to your well-being on board our lift cars, because our aim is to bring people together and shorten distances, looking after you and your loved ones throughout your trip.

A UNIVERSAL ACCESSIBILITY SPACE

Accessibility elements to ensure that your lift is a universal space, so that it can be used by everyone in safe, comfortable conditions and in the most natural and independent manner.

WE PUT ALL OUR ENERGY AT THE SERVICE OF SUSTAINABILITY

We design and integrate all systems to reduce the energy consumption of your solution, thinking about today and tomorrow, because sustainability is a part of who we are.



More fluid **mobility** within the building.

Leave in a hurry. Orona. Arrive on time.

The mobility of people within the building is continuously evolving, which is why new solutions are necessary: systems that optimise multiple trips on lifts, solutions that make it possible to monitor the use of the installation and new ways of connecting to other devices. Let us advise you, because each building is unique and has different needs.

Easy Flow

Smart solution for high-traffic installations with multiple lifts which optimises the traffic of the building and reduces the lifts' energy consumption.

The user specifies their destination and the system indicates which lift should be used to reduce the maximum waiting and travel time.



All our energy at the service of sustainability.

We have reduced energy consumption by up to 75%.

At Orona, we work responsibly and sustainably throughout the whole value chain, designing environmentally-friendly mobility solutions and promoting the development of a circular economy.

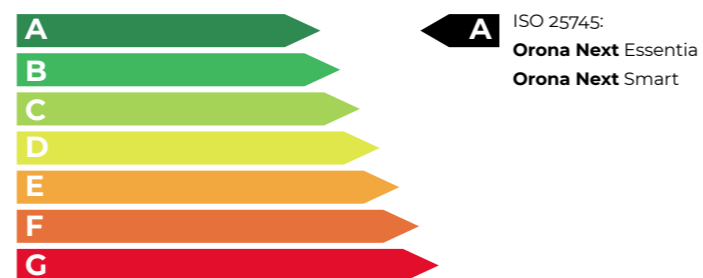


Class A solutions for all categories.

As a result of the high energy performance achieved by LED lightning and the standby mode system, **Orona Next** solutions have been granted class A energy certification in agreement with VDI/ISO standards.

We were the 1st company in the sector to receive Eco-design certification ISO 14006

Since 2008, the year in which we started to eco-design lifts according to UNE 150301, we have accumulated milestones and experience in eco-efficiency, reflecting our commitment to sustainability.



Environmental Product Declaration

Our **Orona Next** models have Environmental Product Declarations (EPD) certified under standard ISO 14025. We make information related to the environmental performance of our products available to you, based on a Life Cycle Analysis (LCA).

Organisational Carbon Footprint

As part of our commitment to Sustainability, we have Carbon Footprint verification according to ISO 14064, and we exercise transparency in relation to the direct and indirect emissions of greenhouse gases resulting from our activity. Thus, we assume the yearly commitment to reduce emissions in our whole value chain.



Alternatives for reducing energy consumption by your lift.

- ORONA GRID REGEN. ENERGY REGENERATION SYSTEM.**
 - Every time the car goes up with a light load or down with a heavy one, instead of consuming it, the lift motor generates energy.
 - The energy generated by the lift can be used by other devices connected to the same network or (depending on the country) returned to the network, reducing consumption and contributing to cost savings.
- GEARLESS LOW-ENERGY DRIVE**
 - Our machine has one of the highest energy efficiencies in the market, reaching 90% performance.
- EFFICIENT LED LIGHTING AND AUTOMATIC CAR LIGHTING SWITCH-OFF**
 - Orona solutions include these two features out of the box, saving up to 80%.
 - Its useful life is up to 10 times longer.
- LIFT STANDBY MODE**

When the lift is on stand-by:

 - Car digital elements and signalling are dimmed.
 - The power elements (frequency inverter) switch to stand-by mode.
 - The car fan switches off.



Designed to take care of you.

Your health and that of your loved ones is important to us. That's why at Orona we have developed a series of solutions that contribute to your well-being:



Air purifier

The air purifier with nanoe™ X *1) technology inhibits the activity of viruses *2), ensuring that the lift car air is clean and guaranteeing your well-being. It has a highly efficient purifying function.

nanoe™ X technology is based on a multitude of hydroxyl radicals grouped into water droplets that inhibit viruses, transforming their protein.

Furthermore, the high level of air renewal in a lift reduces the risk of exposure. The greater the lift ventilation rate, the lower the accumulated dose to which passengers will potentially be exposed.

* 1) nanoe™ X is a registered trademark of Panasonic Corporation.

* 2) Test results may vary according to the exposure area and air quality. Further information at: www.orona-group.com/en-gb/air-purifier-nanoe/



Anti-bacterial car walls

The innovative materials used on the lift surface keep your lift car clean, thanks to the antibacterial surface.



Antimicrobial handrails

The handrail is the element used to facilitate access to the lift car, which is why we protect our handrails with an antimicrobial treatment that prevents both bacteria and viruses.

An experience in a universal space.

Orona Next includes accessibility elements to ensure that your lift is a universal space, so that it can be used by everyone in safe, comfortable conditions and in the most natural and independent manner.

Accessibility solutions



PRECISE STOPPING

Optimises accessibility when entering or exiting the lift.



INDUCTIVE/ACOUSTIC COUPLING

For people with hearing disabilities.

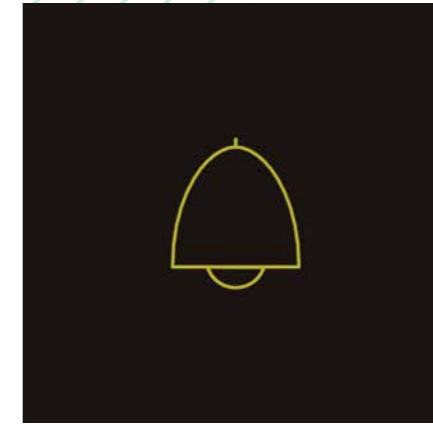


BRAILLE PUSH BUTTON



CAR PUSH BUTTON

Model with additional contrast.



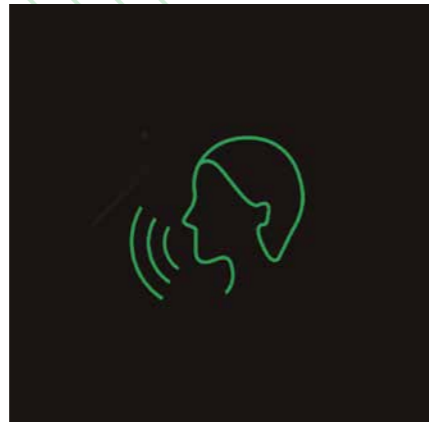
GONG IN CAR AND ON LANDINGS

Notification of the lift reaching its destination through acoustic and visual signal.



ERGONOMIC HANDRAIL

Heights appropriate for users either standing or in wheelchairs.



MULTILINGUAL VOICE SYNTHESISER

Announces floor level, direction of travel and door operation.



SAFETY MIRROR ON THE BACK WALL

Facilitates detection of obstacles when exiting.



PHOTOELECTRIC CURTAIN

Avoids the risk of the doors hitting, allowing a safer use of the lift.



AUDIBLE AND VISUAL PUSH BUTTON INFORMATION

Their location, design, colour and visual / tactile (Braille) / sound operation comply with the EN 81-70 standard.

Other configurable options

- Tip-up seat.
- Visible direction arrow that displays the lift's direction of travel prior to its departure.
- Rear-view mirror.

Minimum car dimensions

We have cars with dimensions in accordance with EN 81-70. Consult standard dimensions tables.

Be **free**: choose the solution that best meets your needs.



Description of solution groups	Model	Description of model	Speed	Load Capacity		Maximum travel		Entrances	
				m/s	kg	persons	m	stops	2x180°
Machine-room-less electrical gearless solutions (MRLG)	Orona Next Essentia	Functionality and comfort within your reach	1	320 - 630	4-5-6-8	40	14	○	○
	Orona Next Smart	Customised comfort	1-1.6	320 - 1,000	4 to 13	50-60	21	○	*
	Orona Next Smart+	Quicker, stronger, taller	1-1.6	630 - 2,500	8 - 33	50-75	32	○	*
	Orona Next Rise	Solutions for high-rise buildings	1.75-2.5	450* to 1,600	6* to 21	130	64	○	

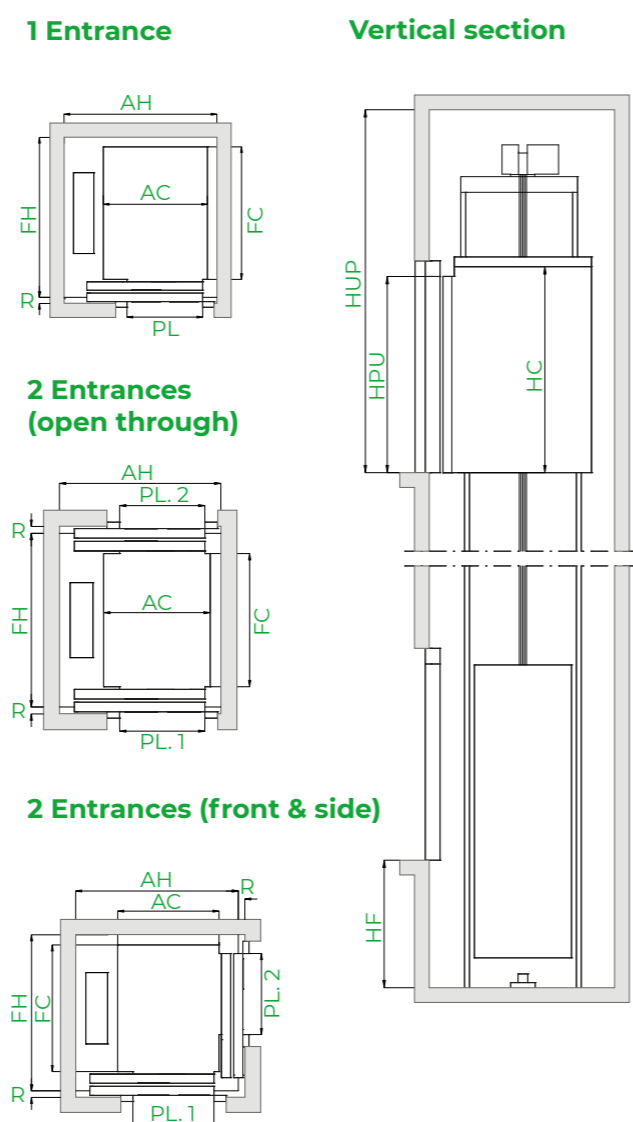
*Consult technical specifications ○ Optional

Essentia Functionality & comfort within your reach.

Our best-selling solution.

General Specifications

Load	320 - 400 - 450 - 630 kg 320 - 450 kg (Single-phase)
Capacity	4 - 5 - 6 - 8 Kg 4 - 6 persons (Single-phase)
Speed	1 m/s / 0.6 m/s (single-phase)
Maximum Travel	40 m / 25 m (single-phase)
Maximum Floors Served	14 Floors
Machine-room Option	Yes
Entrances	1 Front 2 Open through 2 Front & side
Drive System	Regulated gearless (180 stars per hour)
Controller	ARCA III controller, low energy consumption multiprocessor
Door Types	Automatic side-opening Automatic centre-opening
Clear door opening	700 / 750 / 800 / 900 mm
Door Height	2,000 / 2,100 mm
Car Dimensions	Standard
Internal Car Height	2,100 / 2,200 mm
Power Supply	Three-phase / Single-phase



*Note: The diagrams are for guidance only.



Standard dimensions*

Load / Capacity		Car (mm)			Entrances		Lift Shaft ^o (mm)				HF Pit	HUP Head-room
							Two-panel side-opening doors		Two-panel centre-opening doors			
Persons	Q Load	AC Width	FC Depth	PL Clear opening	Accessibility	No. of entrances	AH ¹ Width	FH ² Depth	AH Width	FH ³ Depth		
							4	320 kg	825	1,100	700	-
2x180°	1,500	1,400										
2x90°	1,450	1,350	-	-								
5	400 kg	850	1,200	800	-	1	1,425	1,450	-	-	3,400	
						2x180°	1,600	-	-			
						2x90°	1,535	1,450	-	-		
6	450 kg	1,000	1,250	800	♿	1	1,500	1,500	1,800	1,450	3,400 (3,000) ⁵⁻⁶	
						2x180°	1,650	1,550	1,550			
						2x90°	1,625	1,500	-	-		
		1,000	1,300	800	♿	1	1,550	1,550	1,800	1,500	1,600	3,400 (3,000) ⁵⁻⁶
						2x180°	1,700	1,800	1,600			
						2x90°	1,625	1,550	-	-		
8	630 kg	1,100	1,400	900	♿	1	1,600	1,650	2,000	1,600	3,400 (3,000) ⁵	
						2x180°	1,800	1,700	1,700			
						2x90°	1,725	1,650	-	-		
		1,200	1,250	900	♿	1	1,700	1,500	2,000	1,450	1,550	3,400 (3,000) ⁵
						2x180°	1,650	2,000	1,550			
						2x90°	1,825	1,575	-	-		

^o Minimum plumb measurements.

- 1 Accessible space below the pit (Counterweight with safety gear) add 50 mm to AH.
- 2 R=60 mm, lift shaft depth with 2-panel side-opening doors, resting 60 mm on the landing.
- 3 R=40 mm, lift shaft depth with 2-panel centre-opening doors, resting 40 mm on the landing.

⁴ HF reduced pit optional 850mm.

- ⁵ Minimum HUP for internal car height (HC) of 2,100 mm. HUP reduced headroom optional only for 6 and 8 persons.
- ⁶ Except 2x90° with large-peep-hole doors.

* The information is not contractually binding and is subject to the conditions of the shaft



1 MRL
Machine-room-less solution, with reduced headroom (optional).



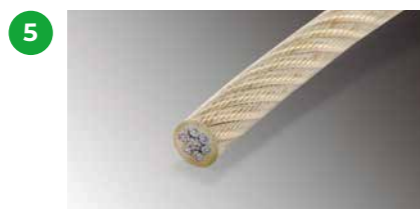
2 Optimised passenger unit
Saves space and reduces weight, providing safety, ergonomics and speed during assembly processes.



3 Accessible space below the pit
Adapts the lift to suit buildings requiring an accessible space below the pit.



4 Two-way communication
Between the car and the 24-hour Service Call Centre, in line with EN 81-28.



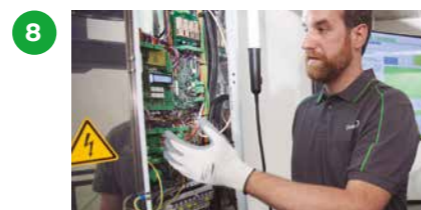
5 Traction ropes
They replace traditional steel ropes. As a result of their lighter weight, longer lifespan and greater flexibility, it is possible to use a more compact machine.



6 Drive
Compact, quiet, gearless, energy-efficient, inverter-drive permanent-magnet motor electrical machine.



7 Doors
With a compact permanent-magnet motor, which allows fast, precise and quiet opening and closing motions, raising current feature standards, with pre-opening and/or light curtain. Optional Solid Door for higher flow situations.



8 Automatic rescue system
With floor level indication to ensure fast, efficient and safe evacuation of passengers in the event of an emergency. As an option the system can incorporate a fully automatic rescue device to evacuate passengers in the event of a power failure.

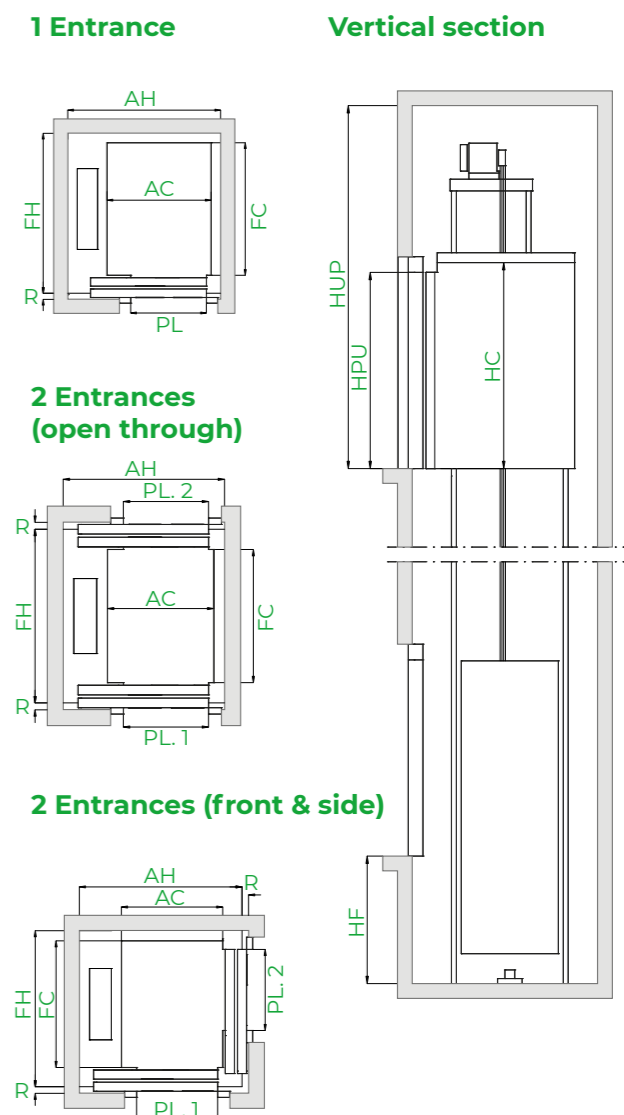


Smart Customised comfort

Solution that can be adapted to all types of buildings and users. A sure investment to meet the needs of each of your projects.

General Specifications

Load	320 to 1,000 kg
Capacity	4 to 13 persons
Speed	1 - 1.6 m/s
Maximum Travel	50 - 60 m
Maximum Floors Served	16 - 21 floors
Machine-room Option	Yes
Entrances	1 Front 2 Open through 2 Front & side (>700kg)
Drive System	Regulated gearless (240 stars per hour)
Controller	ARCA III controller, low energy consumption multiprocessor
Door Types	Automatic side-opening Automatic centre-opening
Clear door opening	From 700 to 1,000 mm
Door Height	2,000 / 2,100 / 2,200 / 2,300 mm
Car Dimensions	Parametric
Internal Car Height	2,100 / 2,200 / 2,300 / 2,400 mm



*Note: The diagrams are for guidance only. Dimensions for 1 entrance. Car width and depth variable, in 5 mm increments. For simplification, table samples show increments of 100 mm.

Customised solution, examples of dimensions*

Load / Capacity			Car (mm)			Entrances		Lift Shaft° (mm)				HF Pit	HUP ⁵ Headroom			
Speed	Persons	Q Load	AC Width	FC Depth	PL Clear opening	Accessibility	No. of entrances	Two-panel side-opening doors		2-panel centre-opening doors						
								AH ¹ Width	FH ² Depth	AH Width	FH ³ Depth					
1 m/s	4	320 kg	825	1,100	700	-	1	1,300	1,350	-	-	1,000 (830) ⁴	3,400			
	6	450 kg	1,000	1,250	800	♿	1	1,450	1,500	1,725	1,450					
	8	630 kg	1,100	1,400	900	♿	1	1,600	1,675	1,925	1,625					
	10	800 kg	1,350 ⁷	1,400	900	-	-	1	1,825	1,675	1,925			1,625		
								1	1,970	1,850	1,650			2,045		
	13	1,000 kg	1,600 ⁸	1,400 ⁸	1,000	♿	♿	1	2,075	1,675	2,150			1,625		
								1	2,045	1,850	1,750			1,750		
								1	1,775	2,550	2,125			2,400		
								1	1,745	2,385	-			-		
	1.6 m/s	4	320 kg	825	1,100	700	-	1	1,325	1,350	-			-	1,120	3,550
6		450 kg	1,000	1,250	800	♿	1	1,475	1,500	1,725	1,450					
8		630 kg	1,100	1,400	900	♿	1	1,625	1,675	1,925	1,625					
10		800 kg	1,350	1,400	900	-	-	1	1,850	1,675	1,925	1,625				
								1	1,850	1,850	1,750	1,750				
13		1,000 kg	1,600	1,400	1,000	♿	♿	1	2,100	1,675	2,175	1,750				
								1	1,775	2,375	2,125	2,300				
				1,100	2,100	1,000	-	1	1,775	2,550	2,125	2,400				

- 0 Minimum plumb measurements
- 1 Accessible space below the pit (Counterweight with safety gear), add 115 mm to AH
- 2 R=60 mm, lift shaft depth with 2-panel side-opening doors, resting 60 mm on the landing
- 3 R=40 mm, lift shaft depth with 2-panel centre-opening doors, resting 40 mm
- 4 830 mm optional reduced HF
- 5 Minimum HUP for interior car height (HC) of 2,100 mm
- 6 HUP optional reduced (HUP=HC+900). Consult

- 7 For 800 Kg to 90° AC 1,325 mm
- 8 For 1,000 Kg to 90° AC 1,400 mm FC 1,600 mm
- 9 For 1,000 Kg to 90° PL 900 mm

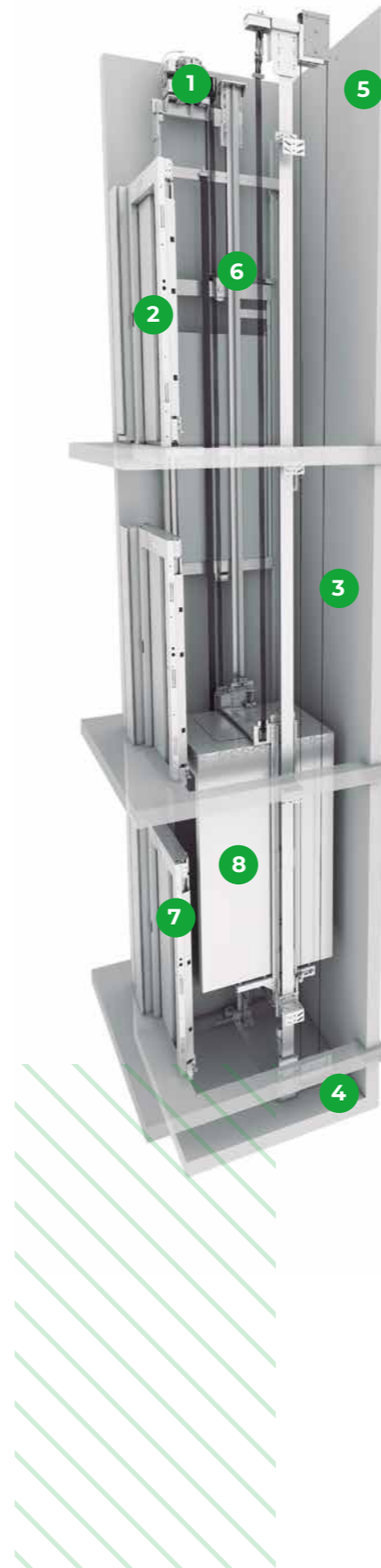
* The information is not contractually binding and is subject to the conditions of the shaft

Customised car dimensions

Car width																		
									13	12	1,600							
								13	13	11	1,500							
								13	13	12	11	10	1,400					
								13	12	11	10	9	8	1,300				
								13	13	12	11	10	9	8	1,200			
13	13	12	11	11	10	9	8	8							1,100			
12	12	11	10	10	9	8									1,000			
11	10	10	9	8	8										900			
2,100	2,000	1,900	1,800	1,700	1,600	1,500	1,400	1,300	1,200	mm	800	900	1,000	1,100	1,200	1,300	1,400	1,500

Car depth

Clear door opening



Drive
Compact, quiet, gearless, energy-efficient, inverter-drive permanent-magnet motor electrical machine.



Solid doors
Extra robust doors which improve sound-proofing inside and outside the lift and which are specially sized for an intense flow of people.



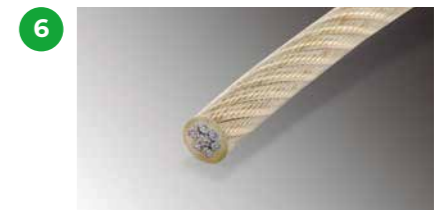
Parametric / Flexible
The parametric dimensions offer the possibility of adapting the lift to most potential space-based needs (optional).



Accessible space below the pit
Adapts the lift to suit buildings requiring an accessible space below the pit (optional).



Reduced headroom
Optional system that allows reducing the space required above the last floor in the building while ensuring maximum safety and protection for maintenance technicians.



Traction ropes
They replace traditional steel ropes. As a result of their lighter weight, longer lifespan and greater flexibility, it is possible to use a more compact machine with a more efficient and eco-friendly motor.



Two-Way Communication
Between the car and the 24-hour Service Call Centre, in line with EN 81-28.



Automatic rescue system
With floor level indication to ensure fast, efficient and safe evacuation of passengers in the event of an emergency. As an option, the system can incorporate a fully-automatic rescue device to evacuate passengers in the event of a power failure.



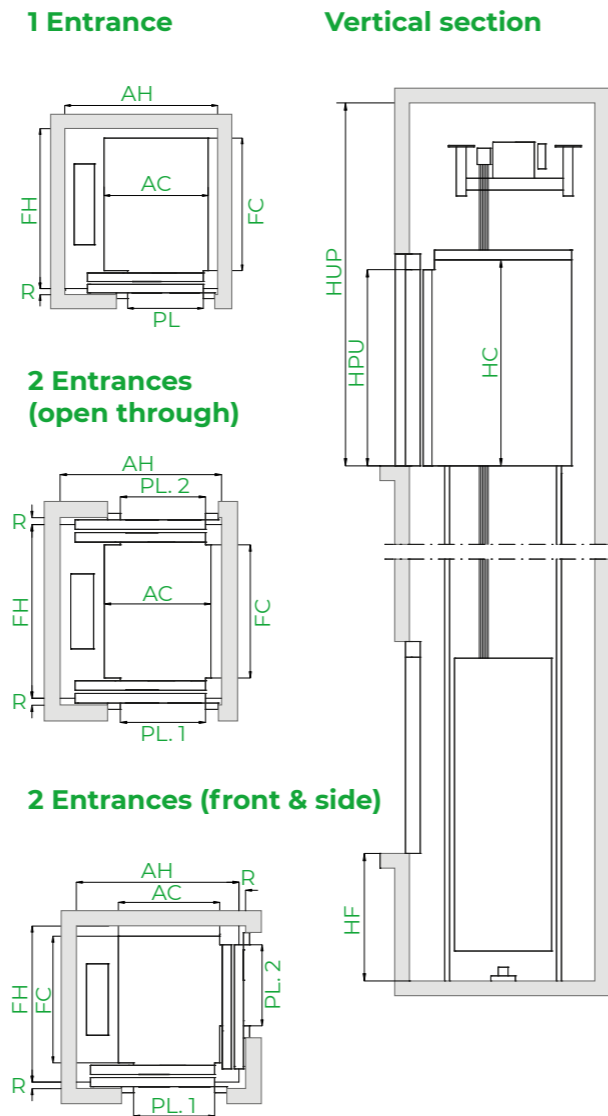
Smart+ Features that can satisfy every need.

Quicker, stronger, taller. Reliability and durability in transport, guaranteeing the safety of all users.

General Specifications

Load	630 to 2,500 kg
Capacity	8 to 33 persons
Speed	1 - 1.6 m/s
Maximum Travel	50 - 75 m
Maximum Floors Served	32 floors
Machine-room Option	Yes
Entrances	1 Front 2 Open through 2 Front & side (<1,250kg)
Drive System	Regulated gearless (240 stars per hour)
Controller	ARCA III controller, low energy consumption multiprocessor
Door Types	Automatic side-opening Automatic centre-opening
Clear door opening	From 800 to 1,600 mm (in 100 mm increments)
Door Height	2,000 / 2,100 / 2,200 / 2,300 mm
Car Dimensions	Parametric
Internal Car Height	2,100 / 2,200 / 2,300 / 2,400 mm

Standard Optional



*Note: The diagrams are for guidance only. Dimensions for 1 entrance. Car width and depth variable, in 5 mm increments. For simplification, table samples show increments of 100 mm.

Customised solution, examples of dimensions*

Speed	Load / Capacity		Car (mm)			Lift Shaft° (mm)*							
	Persons	Q Load	AC Width	FC Depth	PL Clear opening	Side-opening doors			Centre-opening doors				
						Entrance		AH ¹⁻⁵ Width	FH ²⁻⁵ Depth	AH ⁵ Width	FH ³⁻⁵ Depth	HF Pit	HUP ⁴ Head-room
1 m/s	8	630 kg	1,100	1,400	900	1	2x180°						
								1,850	1,750				
	10	800 kg	1,350	1,400	900	1	2x180°	1,975	1,675	1,975	1,625	1,050	3,550
								1,850	1,750				
	13	1,000 kg	1,600	1,400	1,000	1	2x180°	2,225	1,675	2,225	1,625	1,050	3,550
								1,850	1,750				
	17	1,275 kg	1,200	2,300	1,100	1	2x180°	1,775	2,375	-	-	1,050	3,550
								2,550	-	-			
	21	1,600 kg	1,700	1,950	1,000	1	2x180°	1,935	2,600	-	-	1,150	3,600
								2,750	-	-			
24	1,800 kg	2,350	1,600	1,200	1	2x180°	-	-	2,450	2,200	1,150	3,600	
							2,850	2,300					
26	2,000 kg	2,350	1,700	1,200	1	2x180°	2,085	2,700	-	-	1,465	3,650	
							2,850	2,850					
33	2,500 kg	1,800	2,700	1,300	1	2x180°	-	-	3,150	1,950	1,465	3,650	
							-	-		2,160			
1.6 m/s	8	630 kg	1,100	1,400	900	1	2x180°	1,725	1,675	1,950	1,625	1,200	3,700
								1,850	1,750				
	10	800 kg	1,350	1,400	900	1	2x180°	1,975	1,675	1,975	1,625	1,200	3,700
								1,850	1,750				
	13	1,000 kg	1,600	1,400	1,000	1	2x180°	2,225	1,675	2,225	1,625	1,200	3,700
								1,850	1,750				
	17	1,275 kg	1,200	2,300	1,100	1	2x180°	1,775	2,375	-	-	1,200	3,700
								2,550	-	-			
	21	1,600 kg	1,700	1,950	1,000	1	2x180°	1,935	2,600	-	-	1,250	3,750
								2,750	-	-			
24	1,800 kg	2,350	1,600	1,200	1	2x180°	-	-	2,450	2,200	1,250	3,750	
							2,850	2,300					
26	2,000 kg	2,350	1,700	1,200	1	2x180°	2,085	2,700	-	-	1,600	3,790	
							2,850	2,850					
33	2,500 kg	1,800	2,700	1,300	1	2x180°	-	-	3,150	2,050	1,600	3,790	
							-	-		2,260			

0 Minimum plumb measurements.

1 Accessible space below the pit (Counterweight with safety gear) add 50 mm to AH.

2 Shaft depth with door tracks projecting 60 mm on the landing.

3 Shaft depth with door tracks projecting 40 mm on the landing.

4 Minimum HUP for internal car height (HC) of 2,100 mm.

5 Lift shaft can change in travels over 40 m.

* The information is not contractually binding and is subject to the conditions of the shaft

Rise

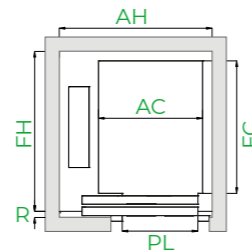
The sky is the limit.

Guarantees comfortable and safe mobility for long travel times, improving the user experience throughout the trip.

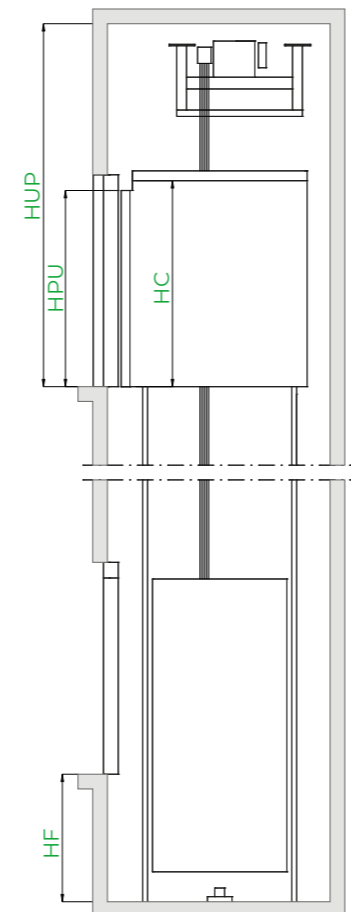
General Specifications

Load	450 (MR)/630 - 1,600 kg
Capacity	6(MR)/8 to 21 persons
Speed	1.6(MR)/1.75 - 2 - 2.5 m/s
Maximum Travel	130 m
Maximum Floors Served	64 floors
Machine-room Option	Yes
Entrances	1 Front 2 Open through
Drive System	Regulated gearless (240 stars per hour)
Controller	ARCA III controller, low energy consumption multiprocessor
Door Types	Automatic side-opening Automatic centre-opening
Clear door opening	From 900 to 1,200 mm (in increments of 100 mm)
Door Height	2,000 / 2,100 / 2,200 / 2,300 mm
Car Dimensions	Parametric
Internal Car Height	2,100 / 2,200 / 2,300 / 2,400 mm

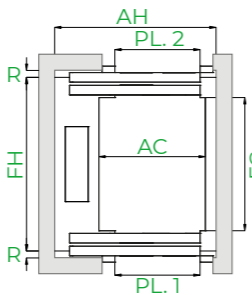
1 Entrance



Vertical section



2 Entrances (open through)



Customised solution, examples of dimensions*

Load / Capacity			Car (mm)			Lift Shaft° (mm)*							
Speed	Persons	Q Load	AC Width	FC Depth	PL Clear opening	Side-opening doors				Centre-opening doors			
						Entrance		AH¹ Width	FH² Depth	AH³ Width	FH³ Depth	HF Pit	HUP⁴ Head-room
						Accessibility	No. of entrances						
1.75 m/s - 2 m/s - 2.5 m/s	8	630 kg	1,100	1,400	900	♿	1	1,850	1,900	1,950	1,800	1,685⁴ - 1,790⁵ - 2,150⁶	4,525⁷ - 4,660⁸ - 4,865⁹
							2x180°	2,000	1,950	1,800			
	10	800 kg	1,350	1,400	900		1	2,100	1,900	2,100	1,800		
							2x180°	2,000	1,950	1,800			
	13	1,000 kg	1,600	1,400	1,000		1	2,350	1,900	2,350	1,800		
							2x180°	2,000	1,950	1,800			
	17	1,275 kg	2,000	1,400	1,100	1	1,850	2,400	2,150	2,350			
						2x180°	2,550	2,150	2,450				
	21	1,600 kg	2,100	1,600	1,100	1	2,800	1,900	2,800	1,800			
						2x180°	2,000	2,000	1,950				
	21	1,600 kg	1,400	2,400	1,200	1	2,000	2,600	2,350	2,550			
						2x180°	2,750	2,350	2,650				
21	1,600 kg	2,100	1,600	1,100	1	2,900	1,950	2,900	1,900				
					2x180°	2,100	2,100	2,050					
21	1,600 kg	1,400	2,400	1,200	1	2,200	2,700	2,550	2,650				
					2x180°	2,850	2,550	2,750					

- 0 Minimum plumb measurements.
 - 1 Considered without safety gear at counterweight (35 mm clearance to door frame).
In the case of safety gear at counterweight (98 mm clearance to door frame).
 - 2 Lift shaft depth with door tracks projecting 60 mm on the landing (adapted to space 50).
 - 3 Lift shaft depth with door tracks projecting 40 mm on the landing (adapted to space 34).
 - 4 (1.75m/s, Q≤1250kg) HF minimum (HF=BC+1585) Table BC=100
 - 5 (2m/s, Q≤1250kg) HF minimum (HF=BC+1690) Table BC=100
(2m/s, Q>1250kg) HF minimum (HF=BC+1905) Table BC=100
 - 6 (2.5m/s) HF minimum (HF=BC+2050) Table BC=100
 - 7 (1.75m/s) Minimum HUP (HUP=HCint+2225) *Table HCint=2,300, with sliding shoes.
 - 8 (2m/s) Minimum HUP (HUP=HCint+2360) *Table HCint=2,300.
 - 9 (2.5m/s) Minimum HUP (HUP=HCint+2585) *Table HCint=2,300.
- * The information is not contractually binding and is subject to the conditions of the shaft

Customised car dimensions

													Car width										
													2,100										
													2,000										
													1,900										
													1,800										
													1,700										
													1,600										
													1,500										
21	21	20	19	28	17	16	15	14	13	13	12	11	10	1,400									
20	19	18	17	16	16	15	14	13	12	11	10	9	8	1,300									
19	18	17	16	15	14	13	13	12	11	10	9	9	8	1,200									
													1,100										
													1,000										
													900										
2,500	2,400	2,300	2,200	2,100	2,000	1,900	1,800	1,700	1,600	1,500	1,400	1,300	1,200	mm	800	900	1,000	1,100	1,200	1,300	1,400	1,500	1,600

Car depth

Clear door opening



1 Drive
Compact, quiet, gearless, energy-efficient, inverter-drive permanent-magnet motor electrical machine.



2 Machine room
Simplifies lift maintenance operations thanks to the space available in the room.



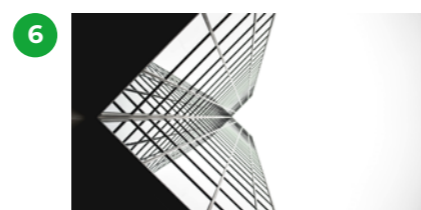
3 Robust lift car
Provides greater lift comfort, reducing vibration and noise during lift travel.



4 Accessible space below the pit
Adapts the lift to suit buildings requiring an accessible space below the pit (optional).



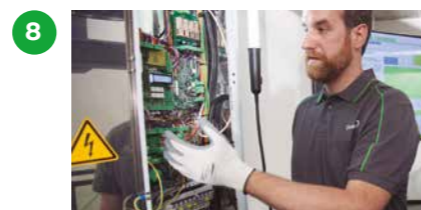
5 Travel time
Special solution for buildings with long travel times.



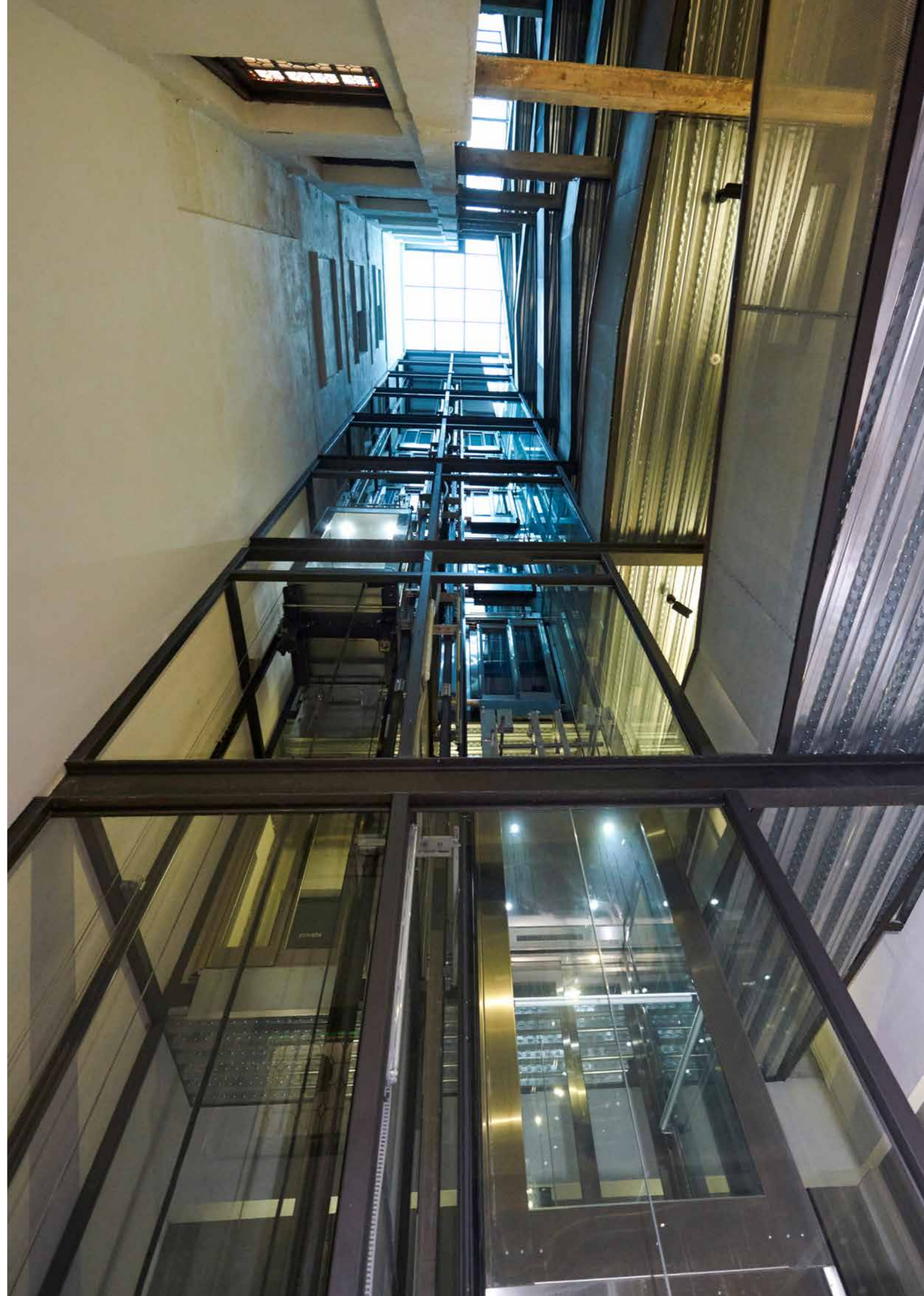
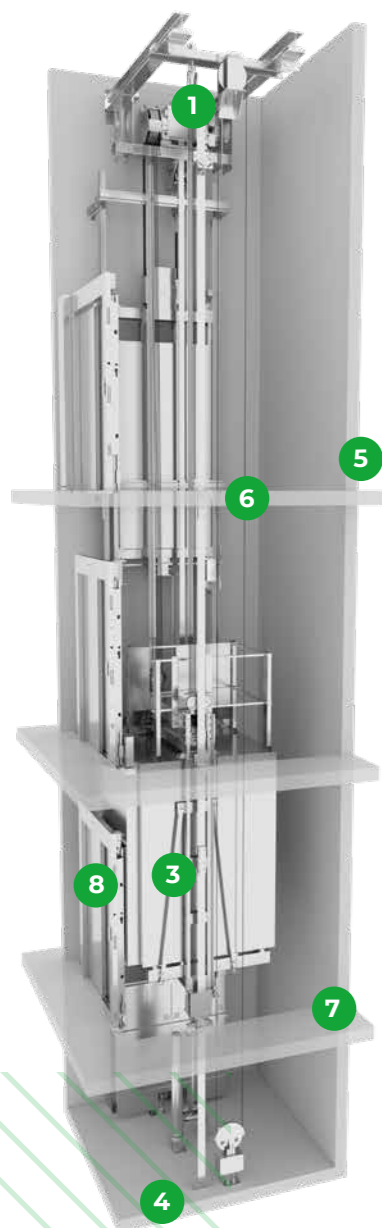
6 Speed
Solution that reaches a greater speed, offering quicker trips for long travel times.



7 Cars
Special car dimensions, with extra depth and wider doors. Designed with reinforced panels and floors for multiple and intensive uses.



8 Automatic rescue system
With floor level indication to ensure fast, efficient and safe evacuation of passengers in the event of an emergency. As an option, the system can incorporate a fully-automatic rescue device to evacuate passengers in the event of a power failure.



Options

	Orona Next Essentia	Orona Next Smart	Orona Next Smart+	Orona Next Rise
Eco-efficiency				
Low-energy drive	●	●	●	●
Efficient LED lighting	●	●	●	●
Automatic car lighting switch off	●	●	●	●
Landing illumination control	○	○	○	○
Lift stand-by mode	○	○	○	○
Adaptability				
Flexible controller location	○	○	○	○
Lift well enclosure	○	○	○	○
Reduced headroom (with safety space)	○	○		
Reduced pit (with safety space)	○	○		
Accessible space below the pit	○	○	○	○
Single-phase supply	○			
Control and safety				
Evacuation				
Autodialler system	●	●	●	●
Automatic rescue system	○	○	○	○
Behaviour of lifts in the event of fire (EN 81-73)	○	○	○	○
Connection to auxiliary power source (generator)	○	○	○	○
Pit water detector	○	○	○	○
Safety landing call cancelling	○	○	○	○
Firefighters lift (EN 81-72)		○	○ (>1,000kg)	○
Access control				
Zone cancelling, coded call	○	○	○	○
Compulsory stop at main floor	○	○	○	○
External call cancelling	○	○	○	○
Automatic car call deletion	○	○	○	○
Independent entrance selection	○	○	○	○
Non-emergency outage	○	○	○	○
Emergency outage	○	○	○	○
Anti-vandalism (EN 81-71)		○	○	○
Communications				
Pre-opening doors	○	○	○	○
Down collective control	○	○	○	○
Full collective control	○	○	○	○
Intercom system	○	○	○	○
Orona Phone	○	○	○	○

* In order to validate these options please consult with us.

● Standard ○ Optional

Design your own space, because first impressions count.

Quality involves fighting time to maintain the aesthetics and functionality of the lift for as long as possible. And the only way to respond to this challenge is through smart design and excellent quality materials. When a person enters our lifts, this condition must be present throughout their trip, which is why Orona offers different ambiances. All good things last longer.

HARMONIA

Ambiances inspired by natural elements, transmitting peace and serenity.



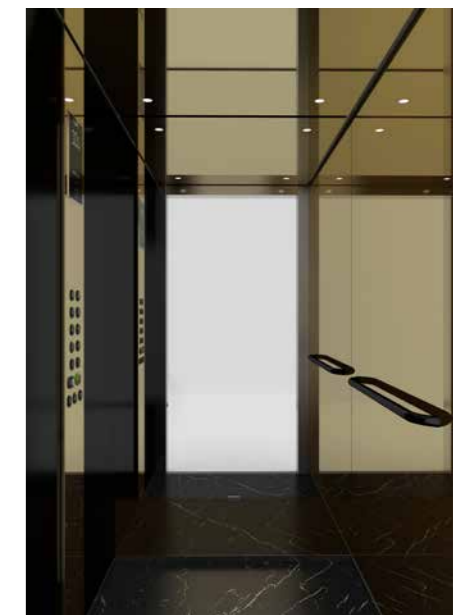
INNOVA

Innovation applied to design, offering refreshing trips that are full of energy.



RINACCIA

Ambiances based on timeless elements of contemporary architecture, offering an elegant experience.



The place where ideas develop...

Orona Ideo is the place where ideas, inspiration and future innovation meet.

Orona Ideo, together with our production plant, embraces the values that underpin Orona's strategy. It's much more than a set of facilities, it is the key to developing and consolidating any idea or project.

- Over 5,700 professionals
- Number 1 in production capacity in Europe for complete lifts
- 60 years' experience
- Direct presence in 12 countries and export to over 100 countries
- 2 production plants
- 2% investment in innovation
- In the top 5 of lift companies in Europe



...and where we make them happen.

Our values make us different.

INNOVATION >>

creativity, enterprise, vision... our approach to sustainable innovation.

PROACTIVITY >>

is resolving mobility challenges in short distances through our products and services platform.

CLOSENESS >>

to customer service and to the user experience. Closeness is the way we express that caring for people comes first.

COMMUNITY >>

it is the people that surround us, the environment in which we move, the place we serve. We collaborate to create a future without forgetting our origins. An organisation that puts the customer at the centre of what we do.



+30,000
units per year
production
capacity

No. 1
in complete
lift production
capacity in
Europe

60
years of
experience

+300,000
lifts worldwide with
Orona technology

ORONA